

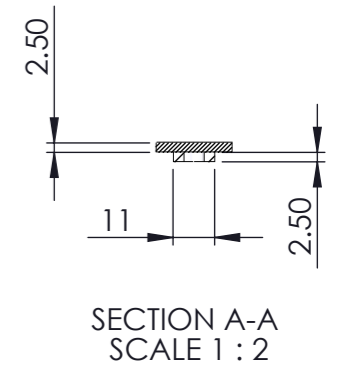
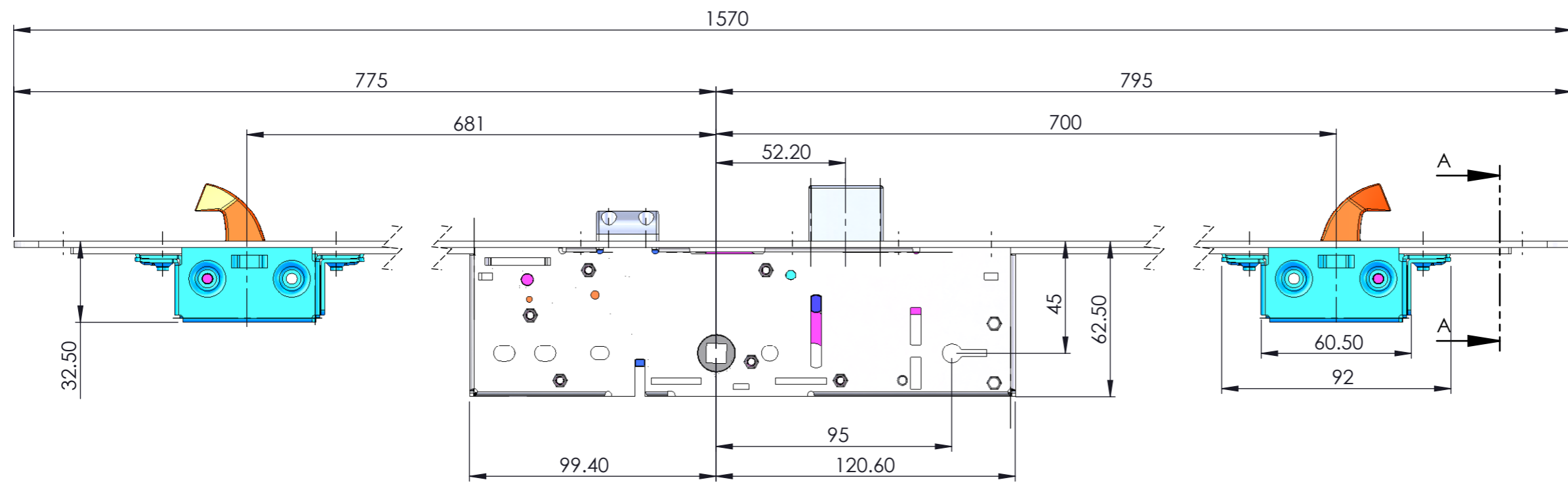
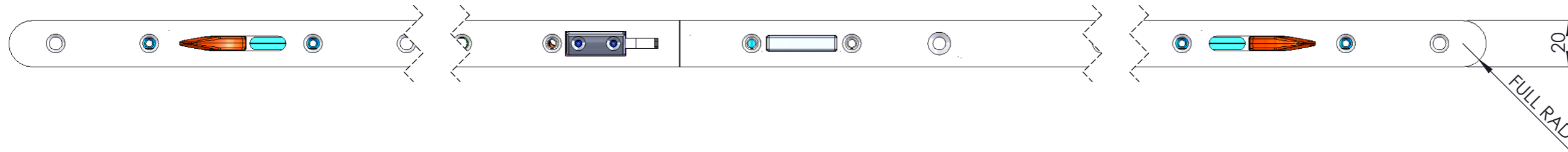
PART NO.
9345-81-85MV

UNLESS SPECIFIED OTHERWISE TOLERANCE TO BE $\pm 0.1\text{mm}$

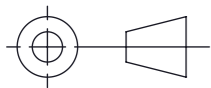
IF IN DOUBT ASK

REVISIONS

MOD NO	DATE	REV.	DESCRIPTION
	26/08/2008	02	DIMENSION ADDED



PROJECTION



3RD ANGLE

THE COPYRIGHT IN THIS DRAWING AND ANY INFORMATION OR DESCRIPTIVE MATTER SET OUT HERE ON ARE THE PROPERTY OF ERA PRODUCTS LTD. AND ARE CONFIDENTIAL TO ERA PRODUCTS LTD. AND MUST NOT BE DISCLOSED, LOANED, PUBLISHED, COPIED OR REPRODUCED IN ANY FORM OR USED FOR MANUFACTURE, TENDERING OR ANY OTHER PURPOSE WITHOUT THE WRITTEN PERMISSION OF ERA PRODUCTS LTD. ©

TITLE

VECTIS 2 HOOK 20mm Round End - GA

ERA PRODUCTS LTD

STRAIGHT RD, SHORT HEATH, WILLENHALL, WEST MIDLANDS WV12 5RA, ENGLAND
TEL: (01922) 490049 FAX (01922) 494420

MATERIAL

N/A

FINISH

N/A

SCALE

1: 2

DRAWN

MLC

CHECKED

MLC

DATE

08/08/2008

PART NO

9345-81-85MV