

Additional Information for Flat-Pack WELLINGTON PATIO DOORSETS

Please Check The Following Items Delivered To You:

- ✓ Three Door-Leaves (Individually Labelled).
- ✓ Frame Pack Sub-Assemblies. (Assemble the Frame as in the Detailed Fitting Instruction page: 4)
- ✓ All the Doors and Frames are already Weather-Stripped using appropriate Seals.
- ✓ There will be 2 types of **Hardware Packs**:

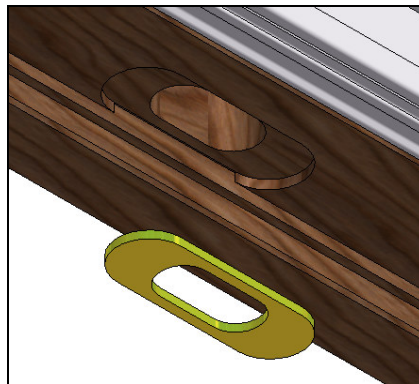
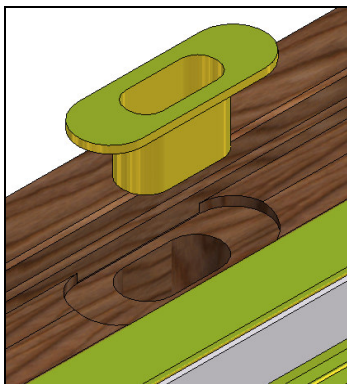
Hardware Pack: 1)

- Aluminium Head Track (Qty: 1)
- Aluminium Threshold (Qty: 1)
- Door Multi-point lock (Qty: 1)

Hardware Pack: 2)

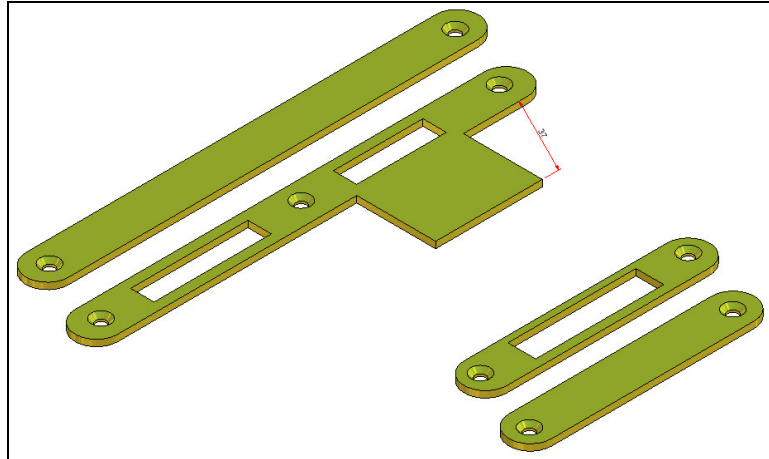
- Door Handle Set (Qty: 1)
- Cylinder (Qty: 1)
- Hook keeps (Qty: 2)
- Hook keeps Blanking Plate (Qty: 2)
- Centre keep (Qty: 1)
- Centre keep Blanking Plate (Qty: 1)
- Fixing pack – (Contains Fixings as itemized in the Detailed Fitting Instruction page: 2)
- Vents and screw cover caps to suit (Qty: 2)
- Vent Canopies (Qty: 2)
- Key Locking Dropbolt (Code: DBF02000KRS) (Qty: 1)
- Non-Keyed Dropbolt (Code: DBF02000NRS) (Qty: 1)
- Half-Offset Hinge set (Code: E22HHSS) (Qty: 1)
- Concealed Pivot set (Code: E2CPSS) (Qty: 1)
- Concealed Intermediate Carrier set (Code: E2CICSS) (Qty: 1)
- Dropbolt Cups (Qty: 2)
- Dropbolt Cup blank plates (Qty: 2)

How to Fit the Dropbolt Cups:



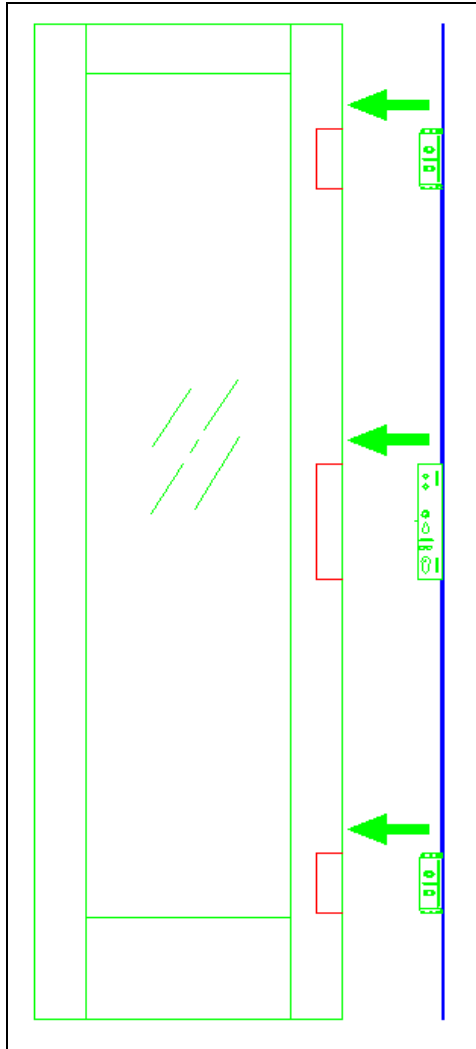
(Dropbolt Keeps Fitting to the Sill and Head; Use 4.5X25 mm Wood Screws for Fixing)

How to Fit the Keeps of Jambs:



(The Slotted Hook Keeps and Centre Keeps are fitted to the side of the Frame where Door Locks into the Frame; The Blanking Plates are fitted to the other side of the Frame to cover the machining; Use 4.5X25 mm Wood Screws for Fixing to the Frame)

How to Fit the Lock on Door:



(Lock Fitting to the Door-leaf; Use 4.5X25 mm Wood Screws for Fixing to the door)